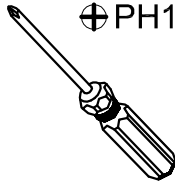
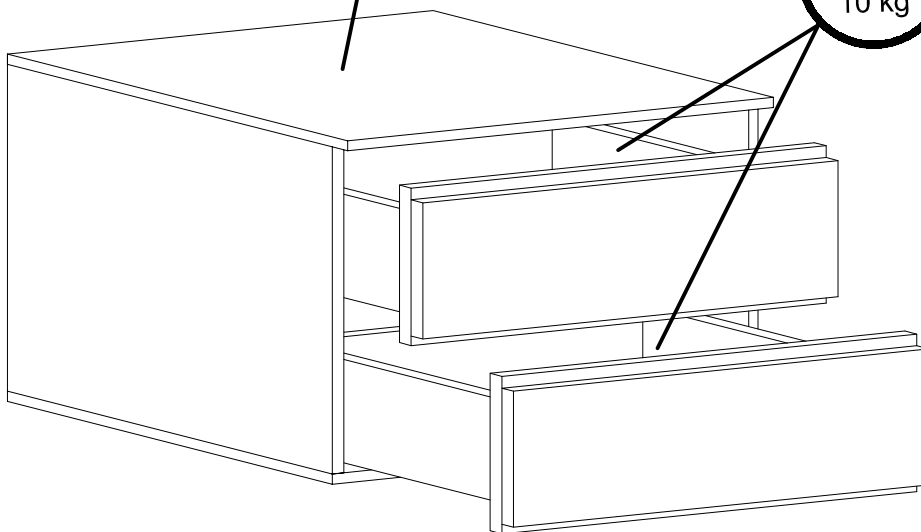
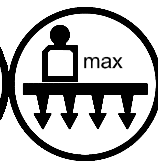
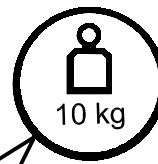
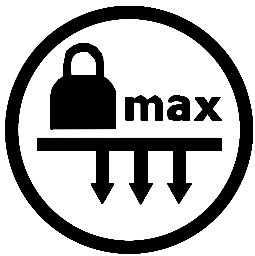
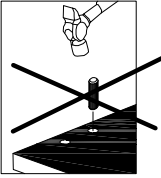
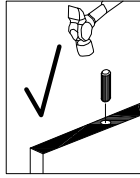
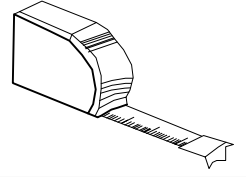
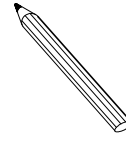


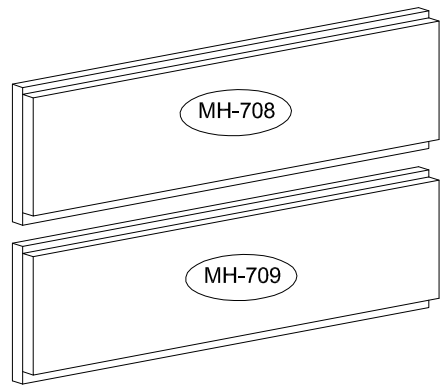
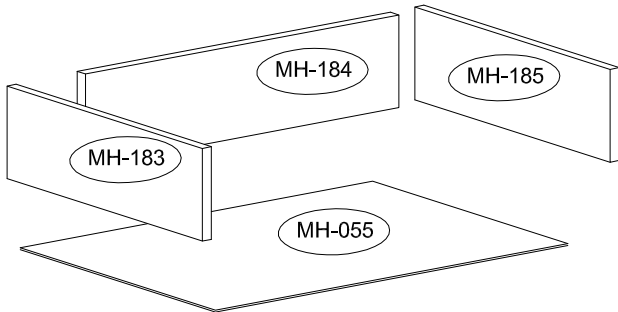
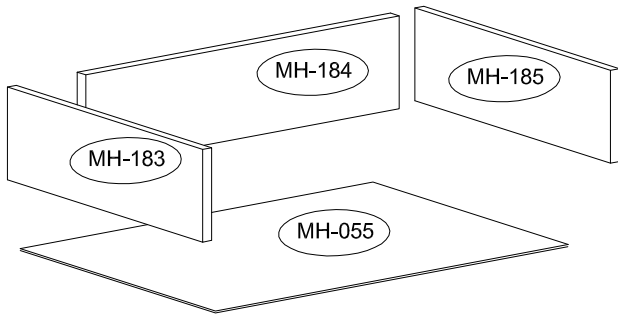
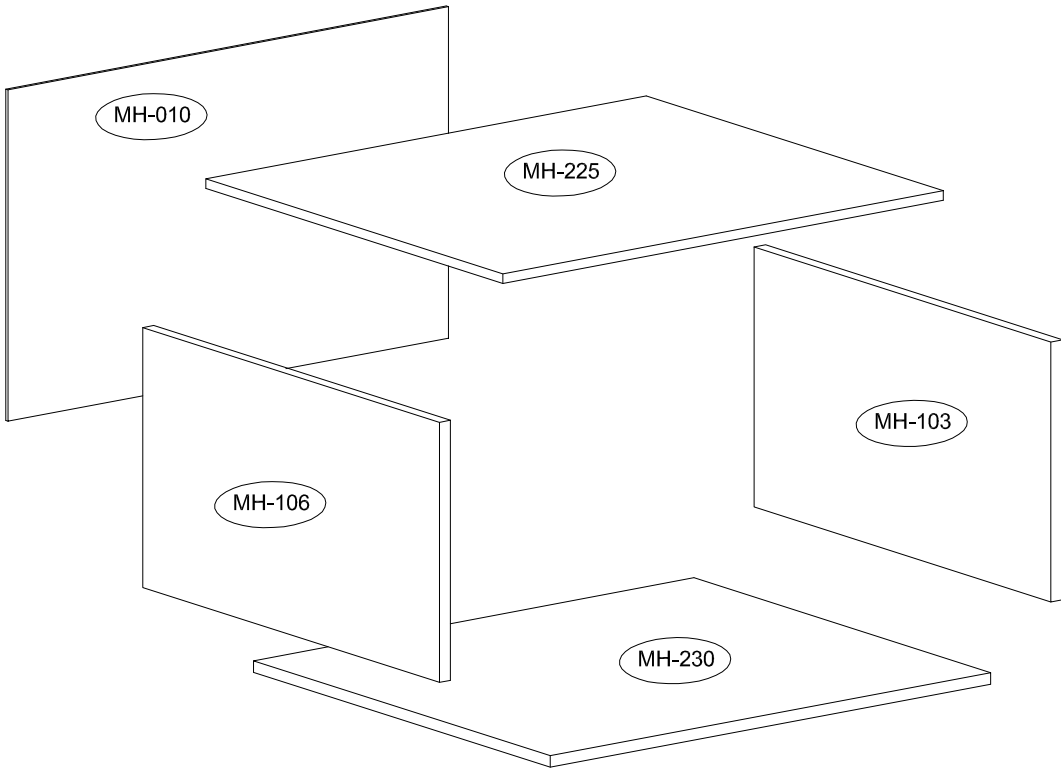
⊕PH2

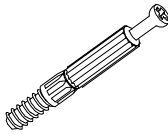

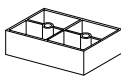
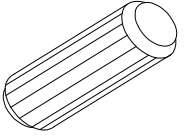

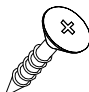
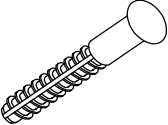

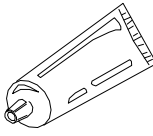
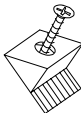
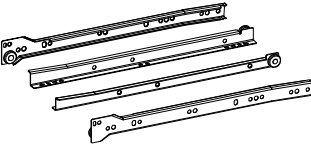


⊕PH1



X2

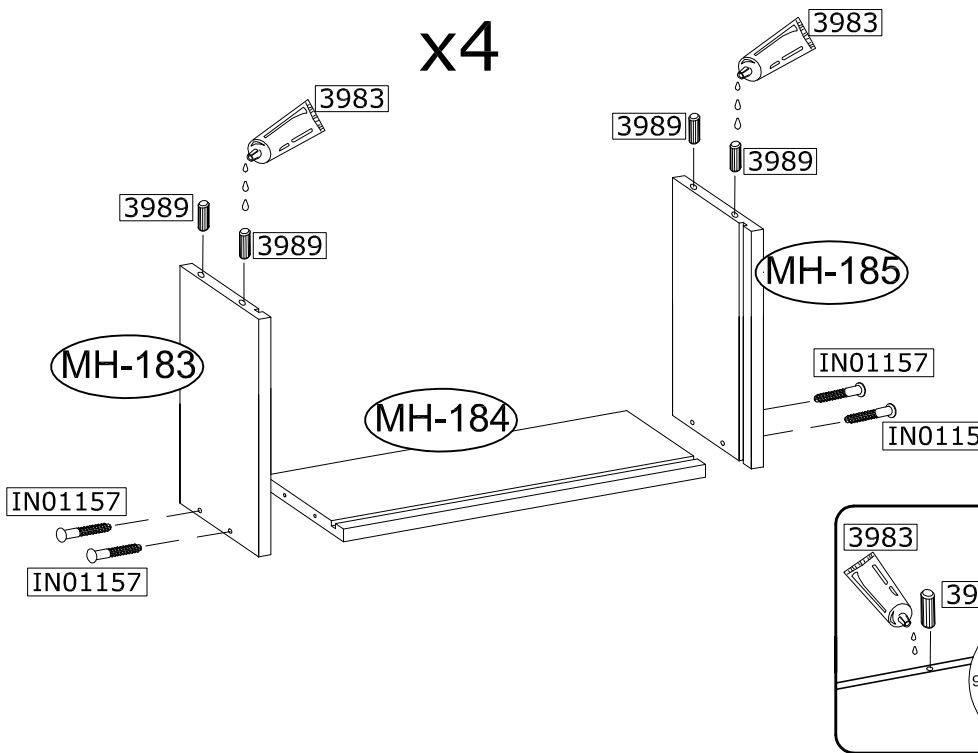


<p>4066</p>  <p>Ø6.5x36.5mm x16</p>	<p>3996</p>  <p>Ø15x16mm x16</p>	<p>IN00445</p>  <p>x8</p>	<p>3989</p>  <p>Ø8x30mm x32</p>
<p>3877</p>  <p>Ø6.0x13mm x16</p>	<p>3918</p>  <p>Ø3,5x16mm x16</p>	<p>IN01157</p>  <p>x16</p>	<p>3925</p>  <p>Ø4,0x25mm x16</p>
<p>3983</p>  <p>x2</p>	<p>4044</p>  <p>x12</p>	<p>3804</p>  <p>x4 kpl</p>	

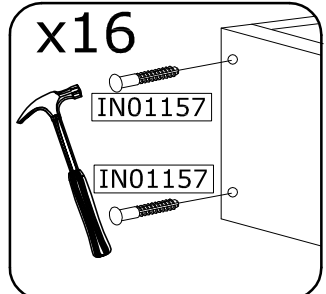
1

 x16	 x16	 x1		
--	--	---	--	--

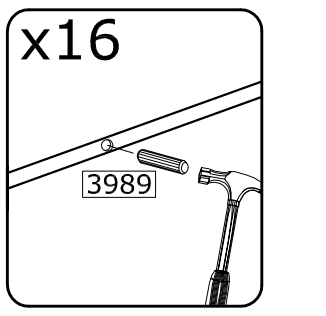
x4



x16

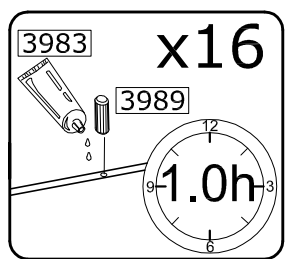


x16

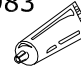







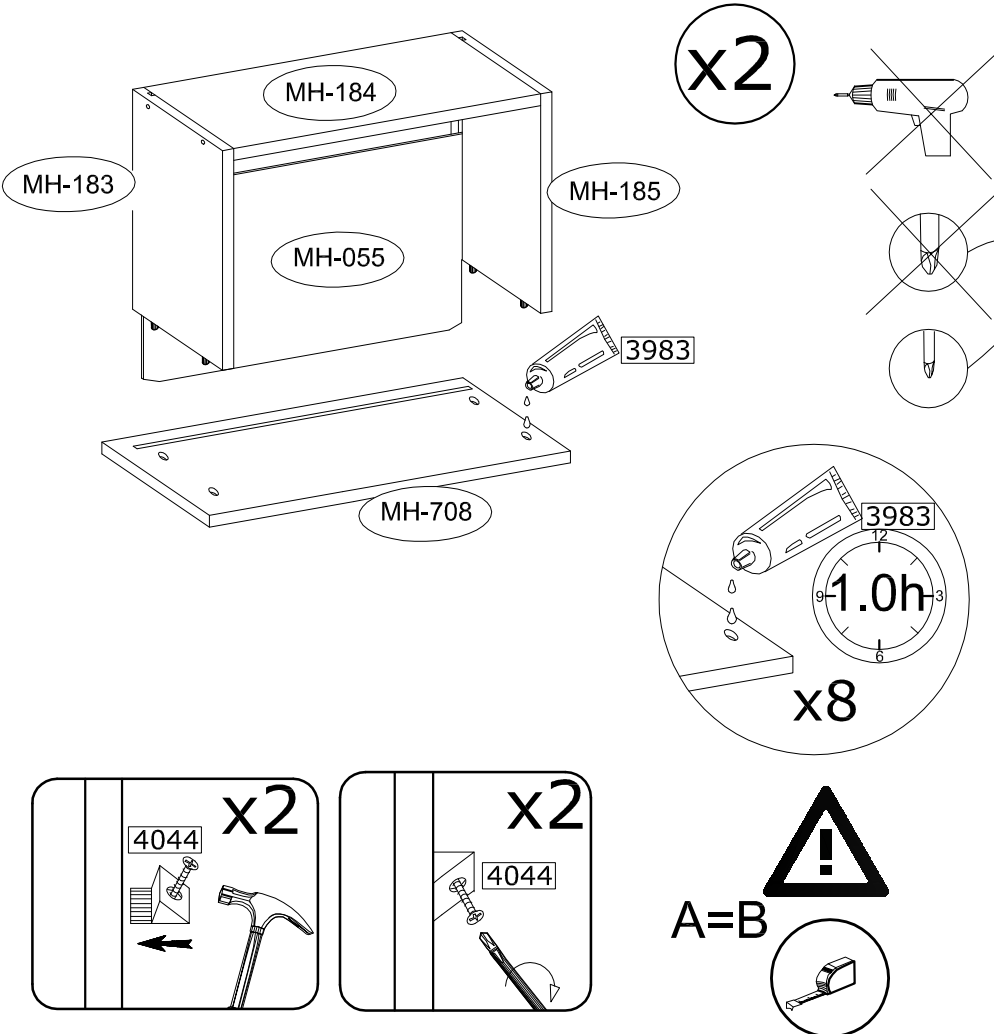
x16

1.0h




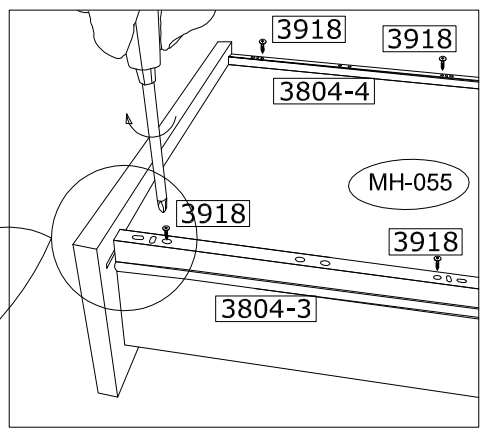
2

 x1	 x2	 x2	 x8	 x2	
---	---	---	---	---	--



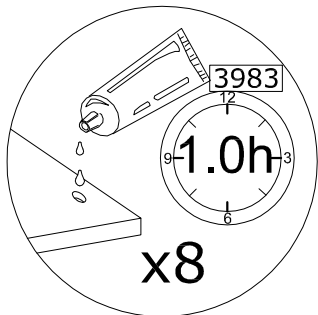
x2

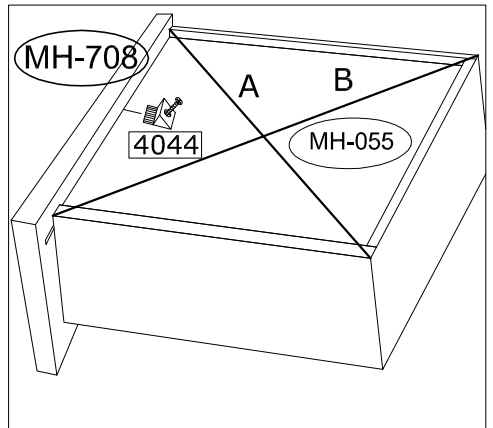




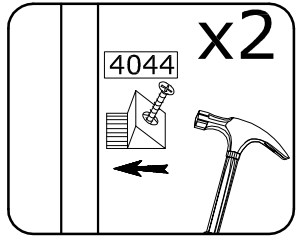
x8

1.0h

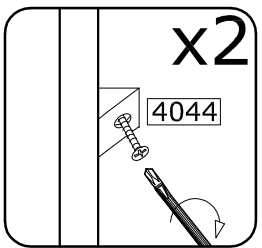





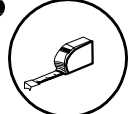
x2



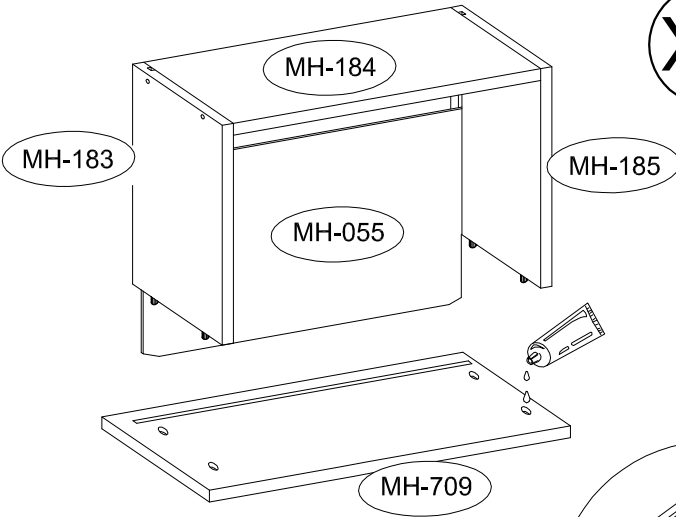
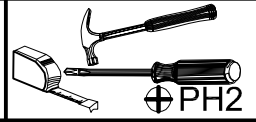
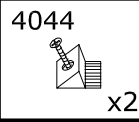
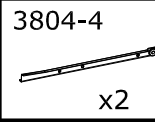
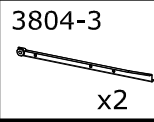
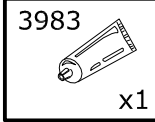
x2



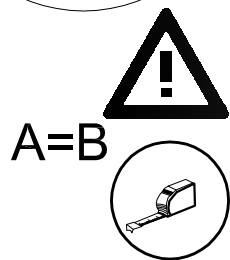
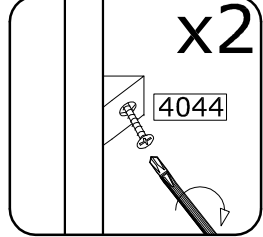
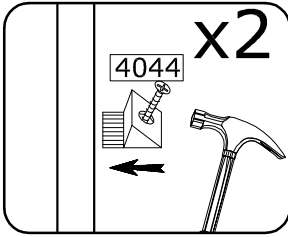
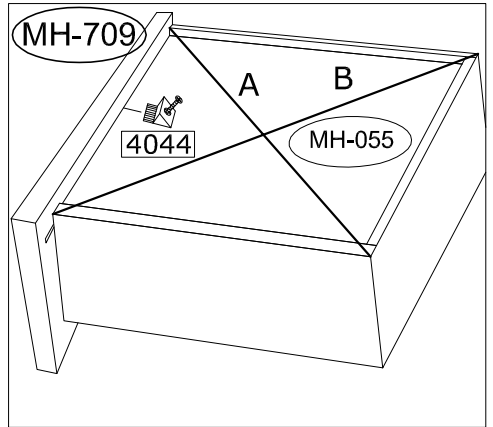
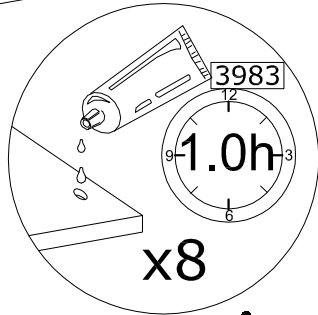
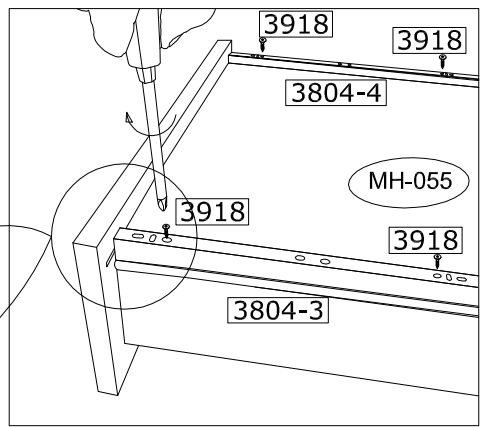
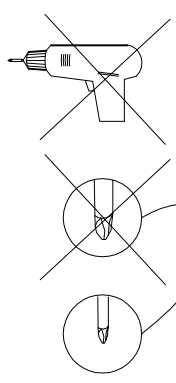
A=B

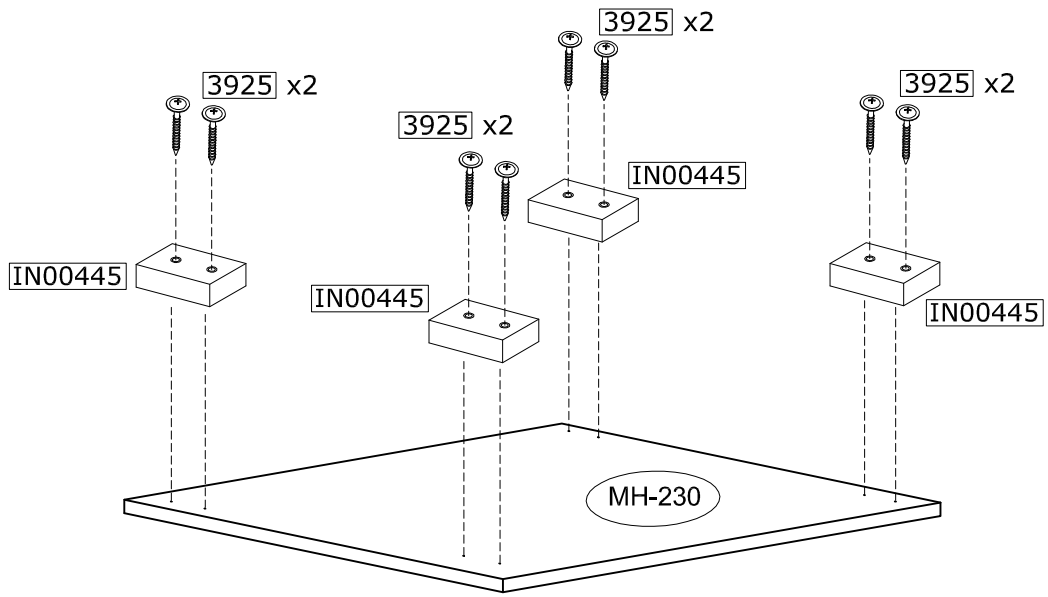
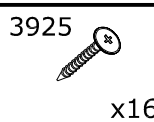
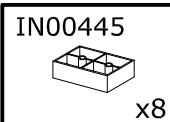
3



X2



4



X2

5

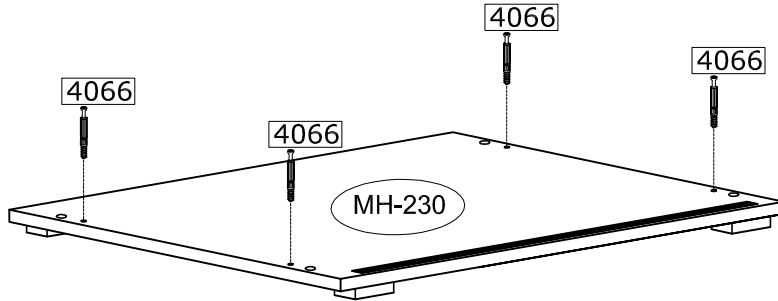
4066



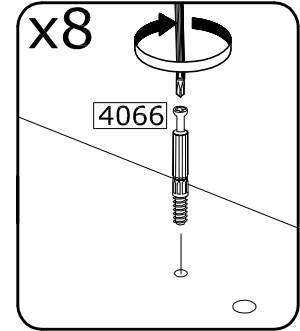
x8



PH2



X2



6

3989

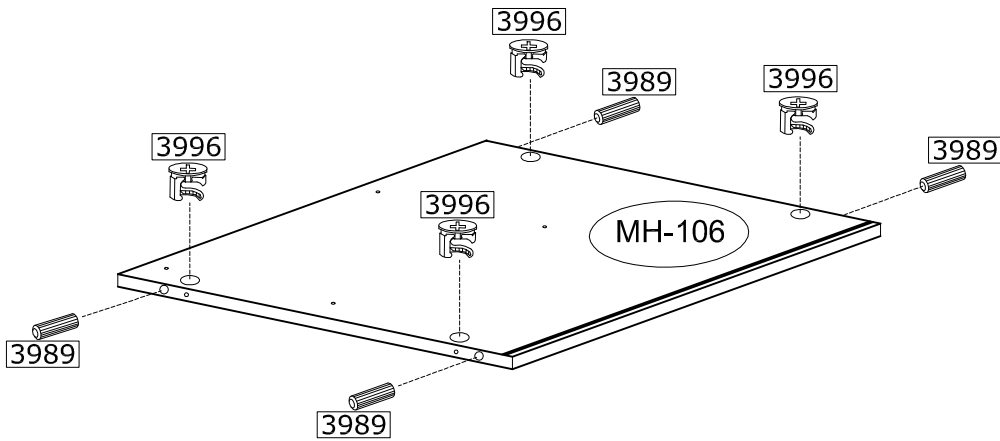


x8

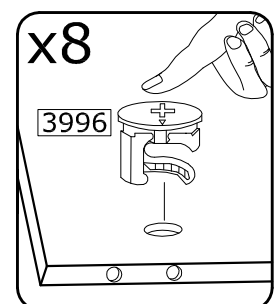
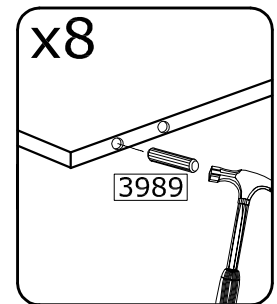
3996



x8



X2



7

3989

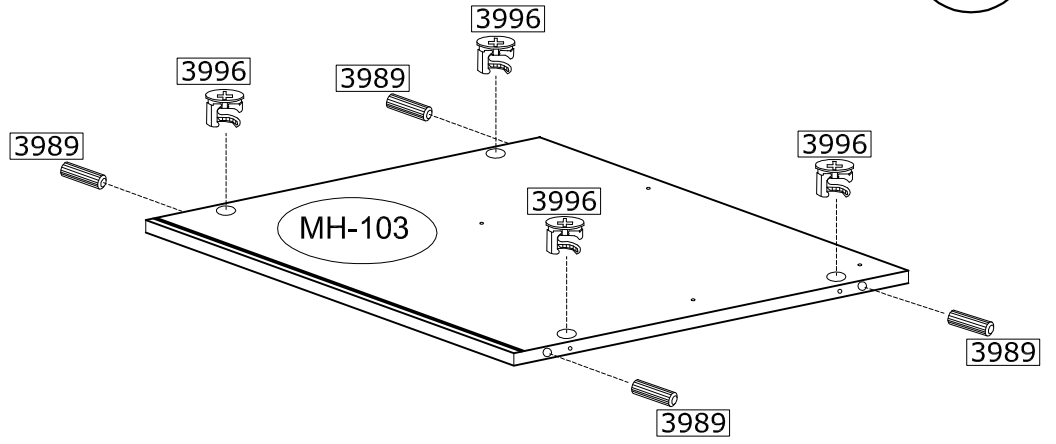
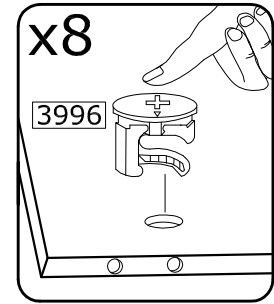
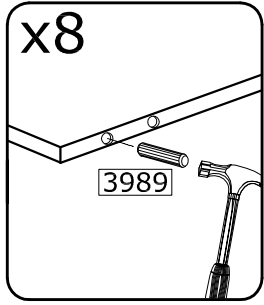


x8

3996



x8



X2

8

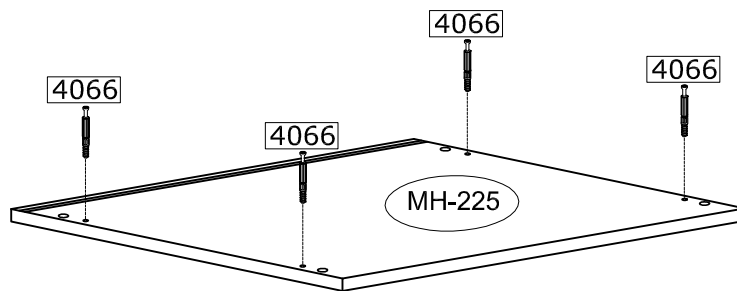
4066



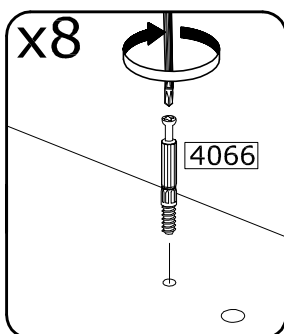
x8



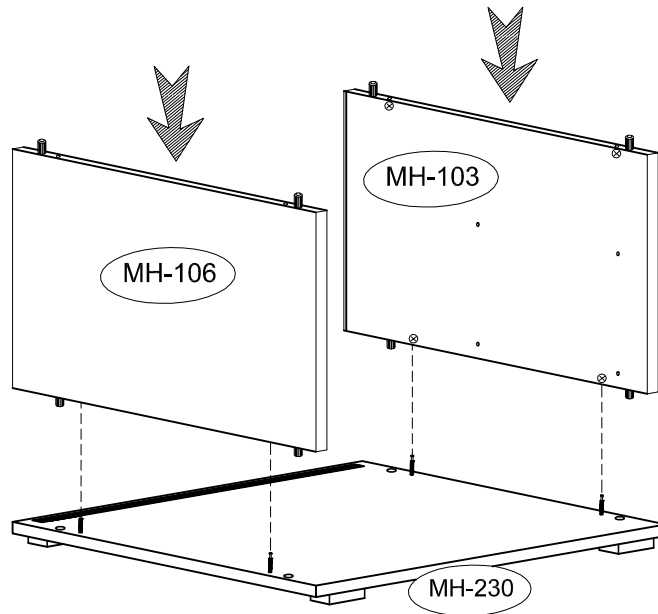
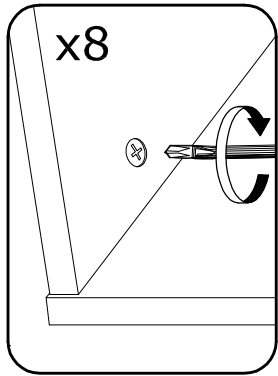
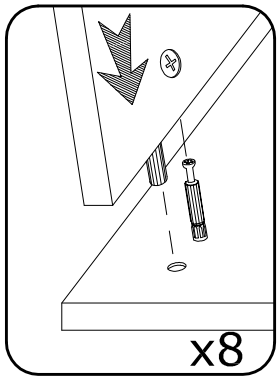
PH2



X2



9



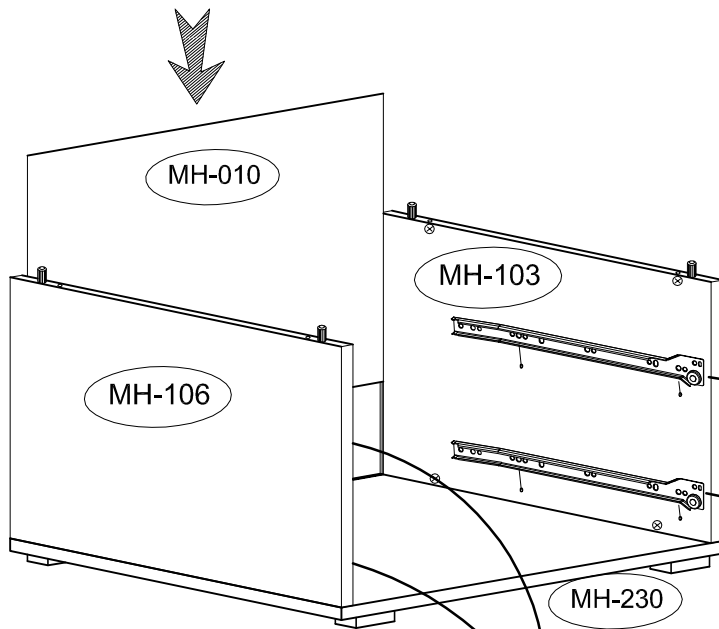
X2

10

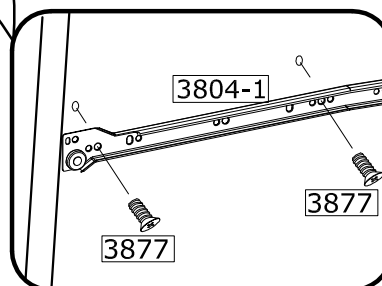
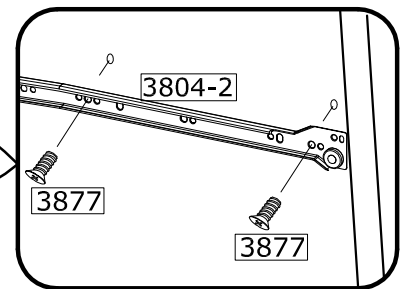
3877
x16

3804-1
x4

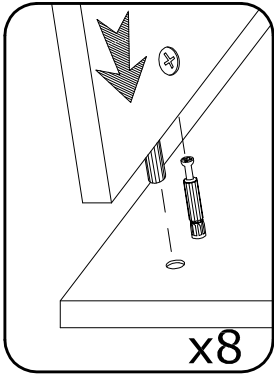
3804-2
x4



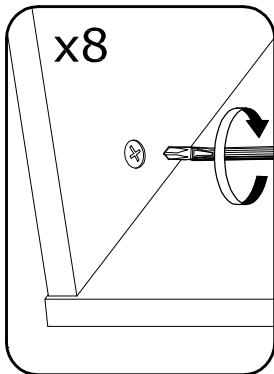
X2



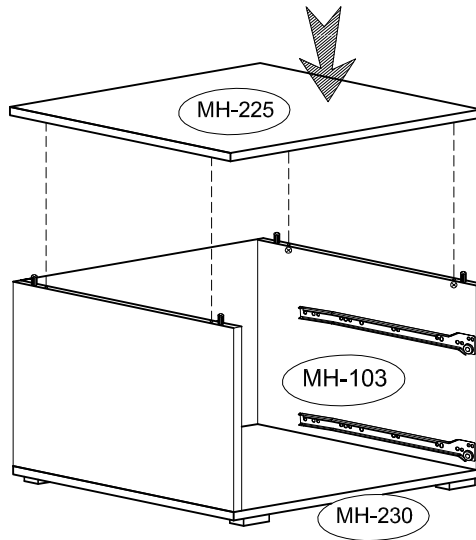
11



x8



x8



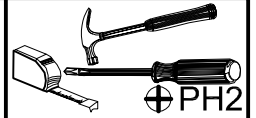
X2

12

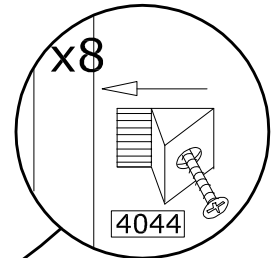
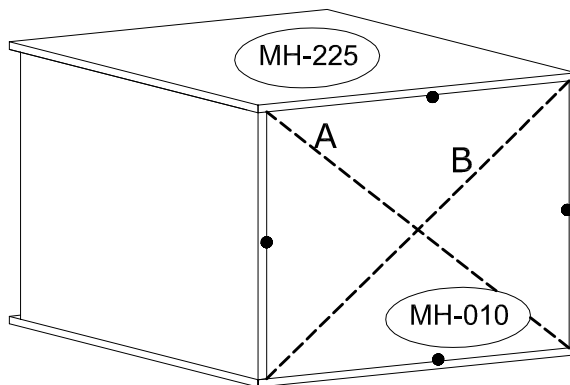
4044



x8

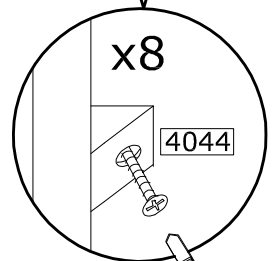


x2



x8

4044



x8

4044

A=B

